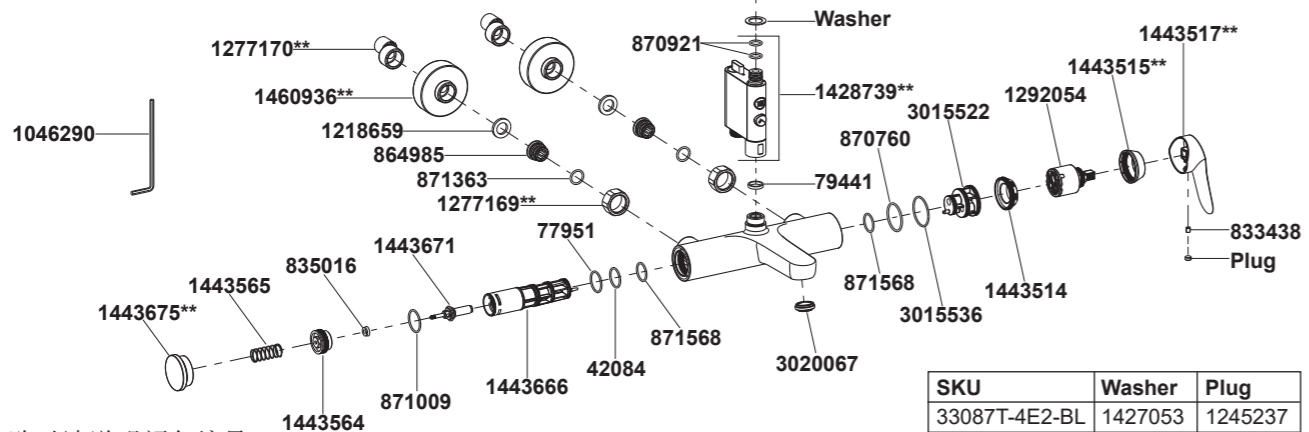
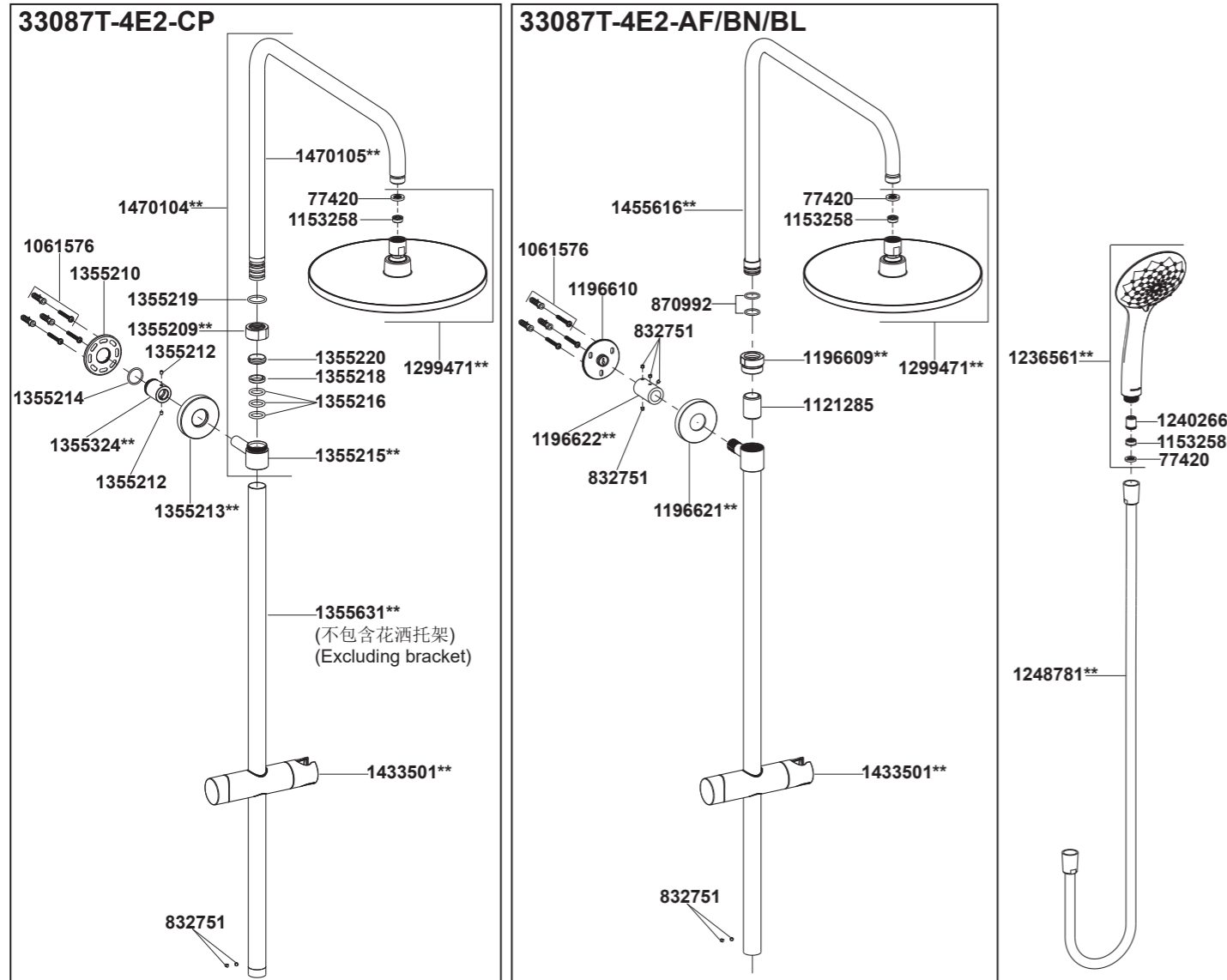


33087T-4E2 三出水淋浴柱 - 硬管连接



**订购时请说明颜色编号
**Color code must be specified when ordering

33095T-4E2 双花洒淋浴柱 - 硬管连接 33087T-4E2 三出水淋浴柱 - 硬管连接

安装之前

所有的资料是按最新出版的产品资料编写而成。科勒公司保留任何时候不经通知即可改变产品特性、包装或产品可供类型的权利。

说明书包括重要的安装、保养及清洁方面的内容，请把这些资料交给用户阅读。

注意事项：

1. 切断供水管路。
2. 检查供水管路有无损坏。如需要，进行替换。
3. 彻底冲洗供水管，以清除管路中的杂质。
4. 花洒最高工作压力为：0.5MPa(5bar)。水压超过0.5MPa(5bar)时须安装减压阀。花洒最高工作温度及环境温度：60°C。请特别注意花洒同花洒连接的臂管须远离浴霸，否则可能损坏花洒及其密封件，甚至对使用者造成伤害。

使用说明

对于33095T-4E2

轻轻打开龙头右把手，顺时针旋转把手为热水，逆时针旋转为冷水。

按下淋浴柱切换器上的头顶花洒按钮，头顶花洒出水；按下手持花洒按钮，手持花洒出水。

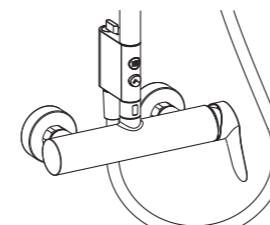
对于33087T-4E2

轻轻打开龙头右把手，浴缸出水口出水，顺时针旋转把手为热水，逆时针旋转为冷水。

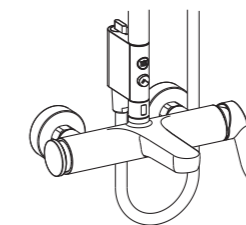
按下龙头左把手，切换至头顶花洒或手持花洒出水：按下淋浴柱切换器上的头顶花洒按钮，头顶花洒出水；按下手持花洒按钮，手持花洒出水。拉回龙头左把手或关闭右把手，浴缸出水口出水。

对于33095T-4E2 & 33087T-4E2

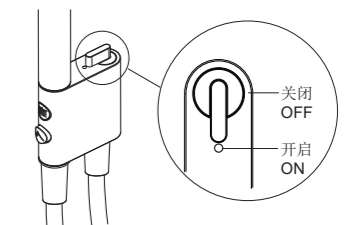
本产品具有自动排出淋浴柱内残留水的功能，每次使用完头顶花洒后自动排出残留水，转动淋浴柱切换器后方把手可开启或关闭此功能(如图所示)。



33095T-4E2



33087T-4E2



淋浴柱切换器后方把手示意图
The handle behind the column

BEFORE YOU BEGIN

All information is based on the latest product information available at the time of publication. Kohler Co. reserves the right to make changes in product characteristics, packaging, or availability at any time without notice. Please leave these instructions for the consumer. They contain important information.

NOTES:

1. Shut off the water supplies to the fitting.
2. Inspect the supply tubing for damage. Replace as needed.
3. Flush the water supply pipes thoroughly to remove debris.
4. The highest working pressure for handshower & showerhead is 0.5MPa(5bar). If it exceeds 0.5MPa(5bar), a pressure reducer is needed. The highest water and environment temperature is 60°C. Please keep the handshower, showerhead and shower arm away from heater, or it may become damaged and cause injury to the user.

OPERATION INSTRUCTIONS

For 33095T-4E2

Lift the right handle gently. Turn the handle clockwise for hot water, turn counter-clockwise for cold water.

Press the diverter button on the column, showerhead will work; Press the diverter button, handshower will work.

For 33087T-4E2

Lift the right handle gently, bath spout will work. Turn the handle clockwise for hot water, turn counter-clockwise for cold water.

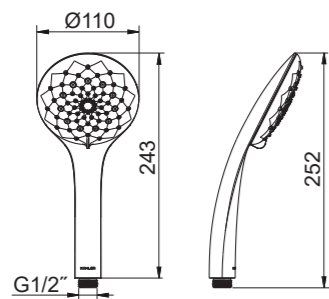
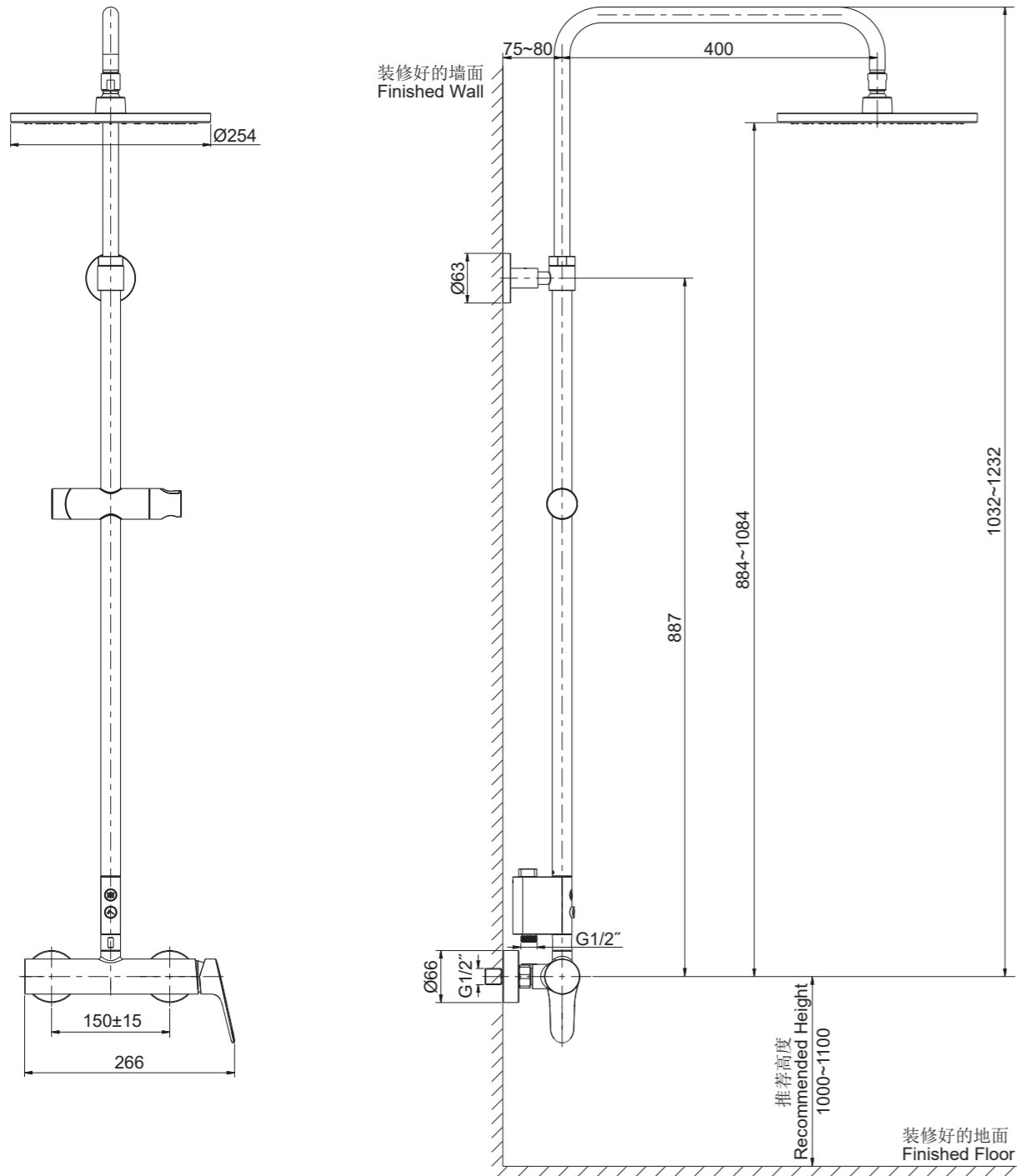
Push the left handle on the faucet, showerhead or handshower will work: Press the diverter button on the column, showerhead will work; Press the diverter button, handshower will work. Pull back the left handle or turn off the right handle on the faucet, bath spout will work.

For 33095T-4E2 & 33087T-4E2

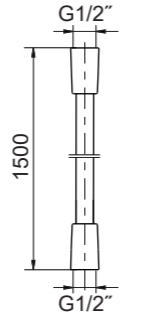
The products can automatically discharging the residual water in the column. It will automatically discharge the residual water after each bathing. Turn the handle behind the column to turn on or turn off this function (see below figure).

安装尺寸 (33095T-4E2)

ROUGH-IN DIMENSIONS (33095T-4E2)



手持花洒 Handshower



软管 Hose

KOHLER[®]

SERVICE PARTS

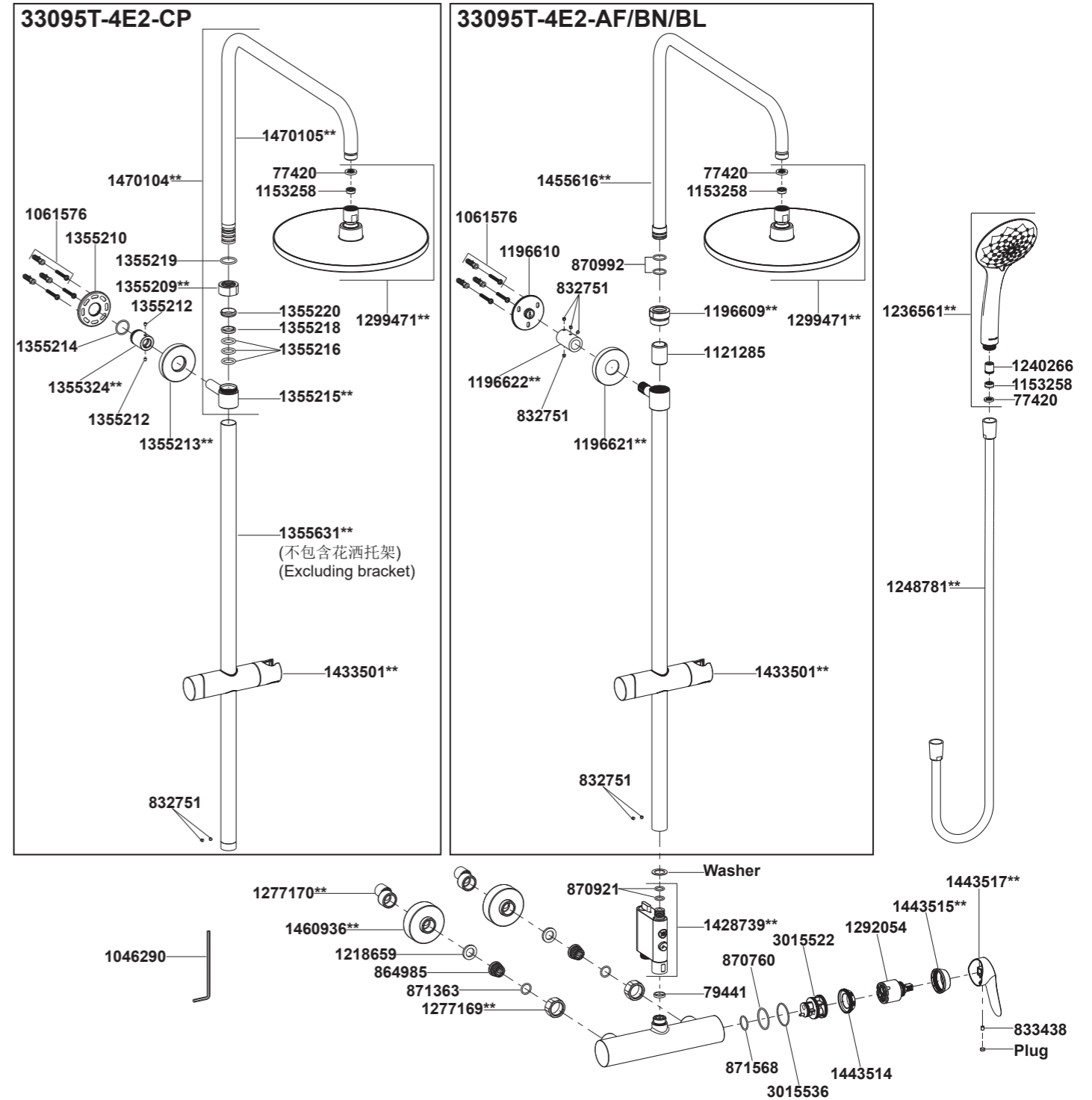
零件图

珂灵

ACCLIV

2 Way Shower Column - Direct Connection

33095T-4E2 双花洒淋浴柱 - 硬管连接



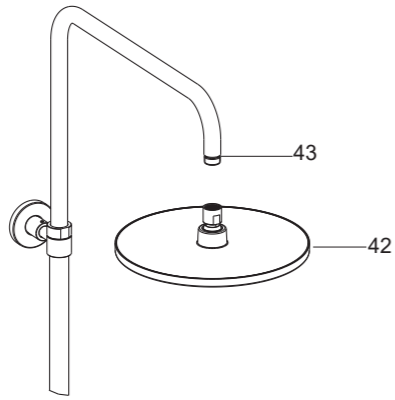
**订购时请说明颜色编号
**Color code must be specified when ordering

SKU	Washer	Plug
33095T-4E2-BL	1427053	1245237
Others	1196628	3008523

如何安装头顶花洒

安装头顶花洒(42)前, 切换至头顶花洒出水状态, 打开冷热水源冲掉管路中的杂质。

将头顶花洒旋到弯管组件出水口(43)上, 用带状扳手锁紧。



How to Install the Showerhead

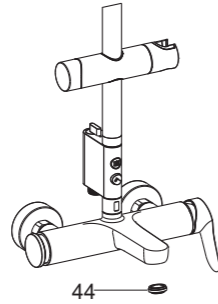
Before installing the showerhead(42), turn on the showerhead. Flush hot and cold water supplies to remove any debris.

Tighten the showerhead onto the tube kit outlet(43) with strap wrench.

安装结果检查

检查并确保所有衔接螺母都已拧紧。确保把手在关闭位置。打开主供水源, 检查是否有漏水。如有漏水, 修理之。

仅对于33087T-4E2, 用硬币拆下起泡器(44)。冲洗起泡器, 关闭水龙头, 重新装回起泡器。



INSTALLATION CHECKOUT

Ensure all connections are tight. Ensure the handles are in the off position. Turn on the main water supply, and check for leaks. Repair as needed.

Only for 33087T-4E2, remove the aerator(44) with coin. Remove any debris from the aerator. Shut off the faucet. Reinstall the aerator.

清洗说明

适用于所有加工处理过的表面: 以中性肥皂水清洗镀层表面, 再以干净的软布彻底擦干整个表面, 许多清洁剂, 比如氨水、去污粉及洁厕灵等, 会对电镀表面造成伤害, 切忌使用。

有磨损性的清洁用具或清洁剂也不可适用于科勒牌的水龙头及其配件上。

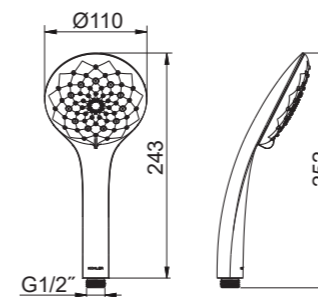
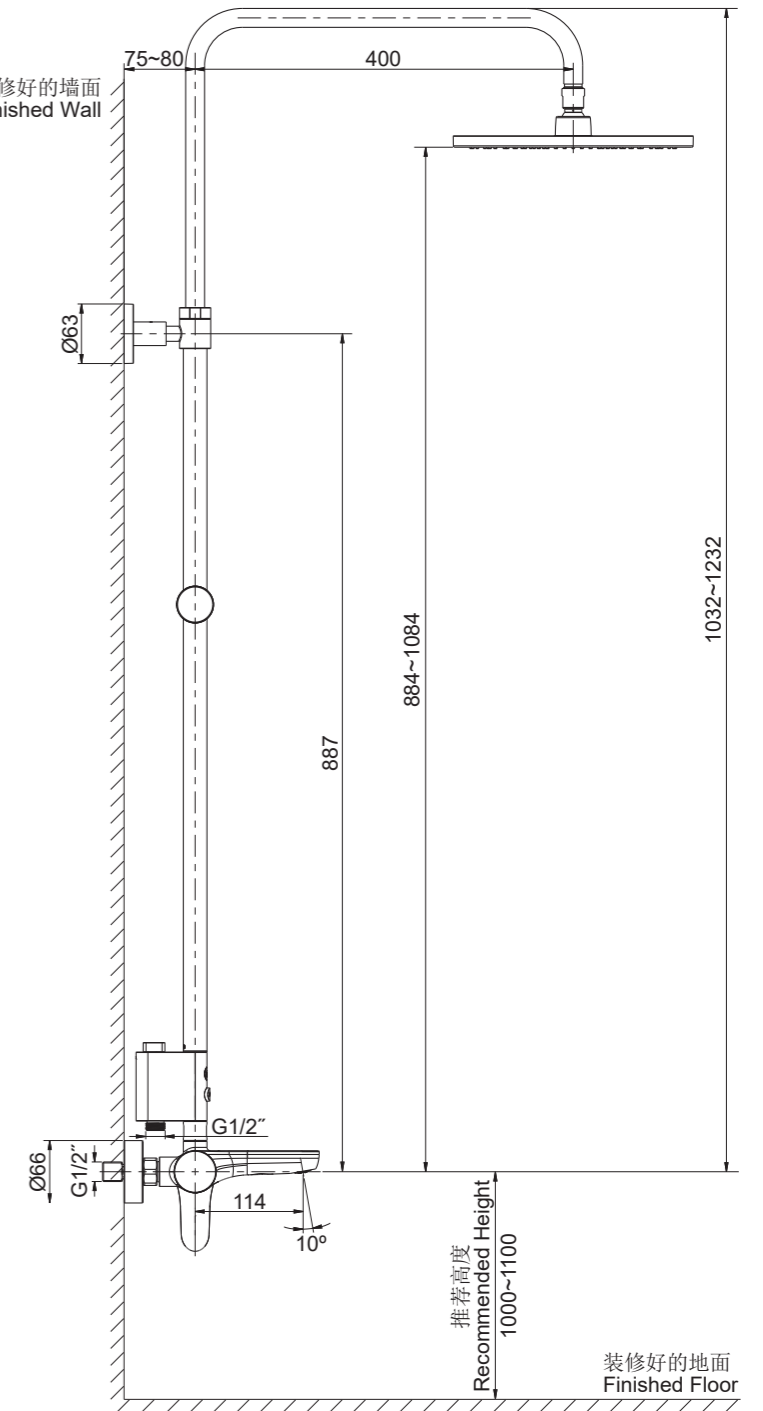
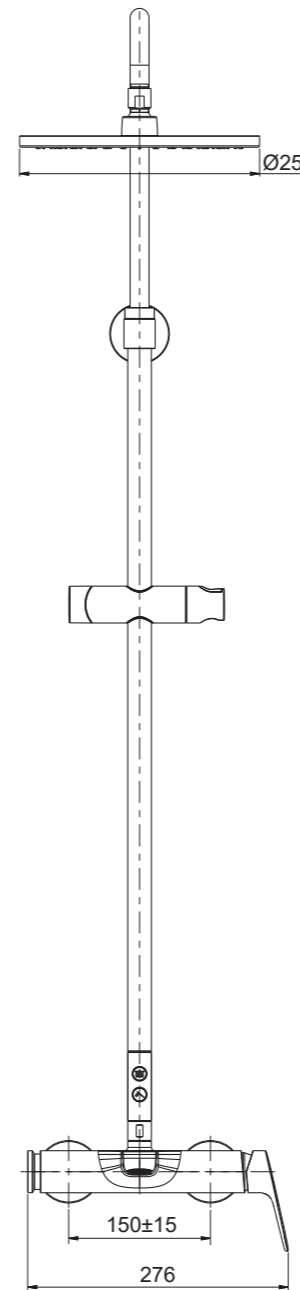
CLEANING INSTRUCTIONS

All Finishes: Clean the finish with mild soap and warm water. Wipe entire surface completely dry with clean soft cloth. Many cleaners may contain chemicals, such as ammonia, chlorine, toilet cleaner etc. which could adversely affect the finish and are not recommended for cleaning.

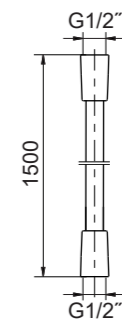
Do not use abrasive cleaners or solvents on Kohler faucets and fittings.

安装尺寸(33087T-4E2)

ROUGH-IN DIMENSIONS(33087T-4E2)



手持花洒 Handshower



软管 Hose

安装步骤

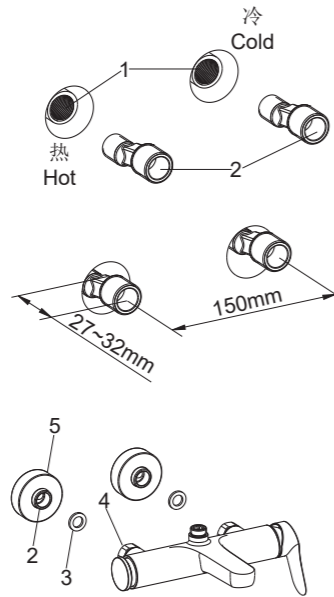
如何安装水龙头

为使安装顺利，G1/2"内螺纹管道配件(1)应已安装好，预留150mm间距，保持水平。管道配件要垂直并不能凸出装修好的墙面。热供水管装在左边。彻底冲洗供水管，以清除管路中的杂质。

在两个接头(2)涂上密封胶或缠绕足以密封的密封胶带，旋入冷热水管中。

调节两个接头，使其中心距离为150mm，并保持同一水平线，凸出墙面27~32mm。把垫片(3)放入水龙头螺母(4)内。把装饰罩(5)旋入接头(2)，使其紧贴墙壁。

把螺母旋到接头上并旋紧。**注意：**在锁紧螺母时，须用带状扳手或用软布垫在普通扳手和螺母之间，以保护镀层表面。



INSTALLATION

How to Install the Faucet

To perform installation, installer must provide G1/2" female supply fittings(1), spaced 150mm apart and horizontally. The supply fittings should be vertical and not beyond the finished wall. Hot supply pipe must be located on the left. Flush the water supply pipes thoroughly to remove debris.

Use appropriate thread sealants or thread tape on the threads of offset connectors(2).

Install two offset connectors into hot and cold supply pipes. Adjust the center-to-center distance between the connectors to 150mm horizontally. They should extend 27~32mm beyond the finished wall. Put the washers(3) into the nuts(4). Thread the escutcheons(5) onto the connectors(2) until they are against the finished wall.

Thread the nuts to the connectors. **NOTE:** When tighten the nuts, use strap wrench or soft cloth between product and regular wrench to protect the finish.

如何安装淋浴柱 (仅对于CP表面)

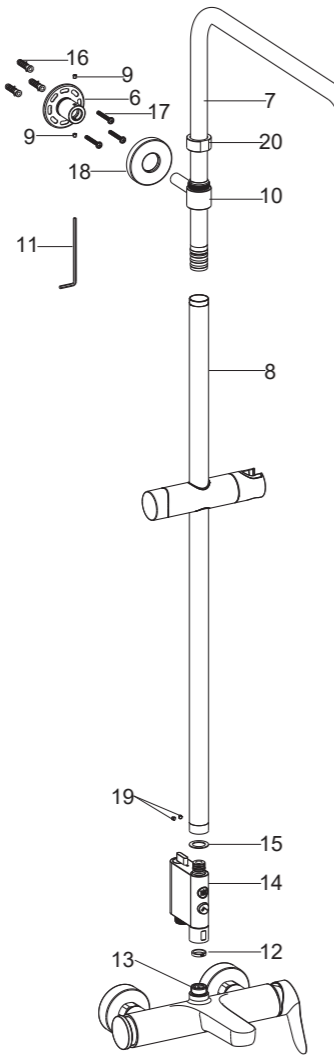
试装淋浴柱组件，以确定底座(6)的安装位置。将弯管组件(7)缓慢转动插入滑杆组件(8)中，锁紧弯管组件与滑杆组件。将螺钉(9)装入底座(6)连接套管中，将连接杆(10)插入底座连接套管中。用六角扳手(11)锁紧螺钉(9)以固定底座和连接杆。

将垫圈(12)放到龙头接口(13)上，用带状扳手或用软布垫在普通扳手和切换器(14)螺母之间，将切换器拧紧到龙头上，确保切换器按钮朝正前方。将垫片(15)套到切换器上，连接切换器与淋浴柱组件。将淋浴柱组件竖直放置，使两个螺钉孔朝向墙面位置，调整连接杆(10)使底座(6)贴紧墙面，同时使淋浴柱组件平行于墙面。用铅笔在墙面上标出底座安装孔位，分别拆下底座和淋浴柱组件(**注意：**切勿弄丢螺钉)。

根据胀塞(16)直径Ø6mm在墙面上标记处钻孔，将胀塞塞入孔中，用螺钉(17)固定底座(6)。

确认垫片(15)在切换器(14)上，将淋浴柱组件连同装饰罩(18)安装在龙头上。将连接杆(10)插入底座连接套管中，保持螺钉(19)朝向墙壁，将装饰罩后推压紧直至接触墙面。保持弯管出水口朝前且淋浴柱组件平行于墙面，用六角扳手(11)锁紧螺钉(9, 19)。

将弯管组件(7)调整到合适位置，用带状扳手或用软布垫在普通扳手和螺母之间，将螺母(20)旋紧在连接杆(10)上。



How to Install the Column (Only for CP finish)

Rehearse the column kit installation to determine mounting location for the base(6). Turn the tube kit(7) slowly and insert it into the slide bar kit(8). Tighten the tube kit and slide bar kit. Insert the screws(9) into the tube joint of the base(6). Install the support(10) into the tube joint of the base. Tighten the screws(9) to fix the base onto the support with hex wrench(11).

Put the washer(12) onto the faucet outlet(13). Screw the diverter(14) onto the faucet with strap wrench or soft cloth between the nut and regular wrench. Make sure the diverter buttons face front. Slide the washer(15) onto the diverter. Connect the diverter and column kit. Place the column kit upright and make sure two screw holes face towards the wall. Adjust the support(10) to ensure the base(6) is against the finished wall and keep the column kit parallel to the finished wall. Mark the holes of the base with a pencil on the finished wall. Uninstall the base and column kit. (**NOTE:** Don't lose the screws.)

Drill holes on the mark according to the anchors(16) diameter Ø6mm. Insert the anchors into the holes. Secure the base(6) with screws(17).

Make sure the washer(15) on the diverter(14). Install the column kit with the escutcheon(18) onto the faucet outlet. Insert the support(10) into the tube joint of the base. Keep two screws(19) face towards the wall. Push the escutcheon until it is against the finished wall. Ensure the tube outlet faces front and the column kit parallel to the finished wall. Tighten the screws(9, 19) with hex wrench(11).

Adjust the tube kit(7) to the appropriate height. Screw the nut(20) onto the support(10) with strap wrench or soft cloth between the nut and regular wrench.

如何安装淋浴柱 (对于其它表面)

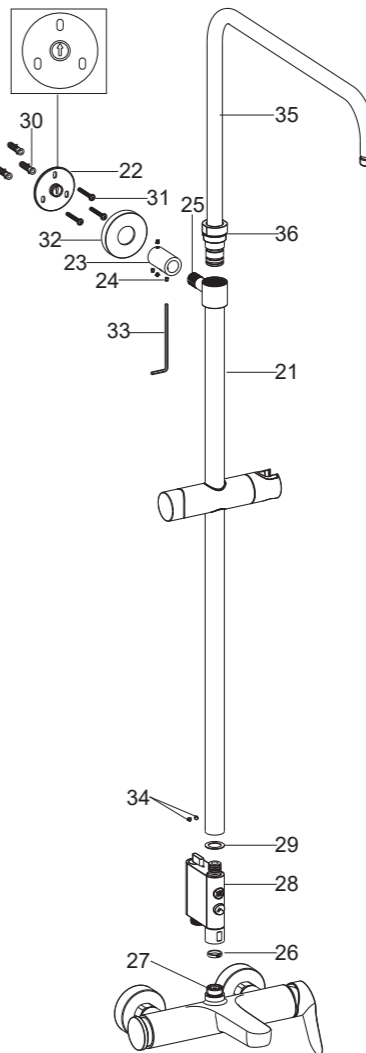
试装滑杆组件(21)，以确定底座(22)的安装位置。将连接管(23)与底座(22)连接(**注意：**底座上的箭头朝上)，并用螺钉(24)锁紧。将连接管另一端套在滑杆组件接头(25)上。

将垫圈(26)放到龙头接口(27)上，用带状扳手或用软布垫在普通扳手和切换器(28)螺母之间，将切换器拧紧到龙头上，确保切换器按钮朝正前方。将垫片(29)套到切换器上，连接切换器与滑杆组件(21)。将滑杆组件竖直放置，使两个螺钉孔朝向墙面位置，调整连接管(23)，使滑杆组件平行于墙面。用铅笔在墙面上标出底座安装孔位。分别拆下滑杆组件和连接管(**注意：**切勿弄丢螺钉)。

根据胀塞(30)直径Ø6mm在墙面上标记处打孔，将胀塞塞入孔中，用螺钉(31)固定底座(22)(**注意：**底座上箭头朝上)。

确认垫片(29)在切换器(28)上。将连接管(23)和装饰罩(32)套在滑杆组件接头上(25)。将滑杆组件下端安装在切换器上，保持螺钉(34)朝向墙壁；将滑杆组件上端的连接管(23)套在装好的底座(22)上。保持滑杆组件平行于墙面，用六角扳手(33)锁紧螺钉(24, 34)，旋紧装饰罩直至接触墙壁。

取下弯管组件(35)的保护套并扔掉。将弯管组件装入滑杆组件，然后用带状扳手或用软布垫在普通扳手和螺母之间，将螺母(36)旋紧到滑杆组件上，保持弯管出水口朝前。



How to Install the Column (For other finishes)

Rehearse the slide bar kit(21) installation to determine mounting location for the base(22). Connect the tube joint(23) and base(22)(**NOTE:** The arrow in the base is upward), tighten them with screws(24). Set the other end of the tube joint on the supporter(25).

Put the washer(26) onto the faucet outlet(27). Screw the diverter(28) onto the faucet with strap wrench or soft cloth between the nut and regular wrench. Make sure the diverter buttons face front. Slide the washer(29) onto the diverter. Connect the diverter and slide bar kit(21). Place the slide bar kit upright and make sure two screw holes face towards the wall. Adjust the tube joint(23) in order to keep the slide bar kit parallel to the finished wall. Mark the holes of the base with a pencil on the finished wall. Uninstall the slide bar kit and tube joint. (**NOTE:** Don't lose the screws.)

Drill holes on the mark according to the anchors(30) diameter Ø6mm. Insert the anchors into the holes. Secure the base(22) with screws(31). (**NOTE:** The arrow in the base is upward).

Make sure the washer(29) on the diverter(28). Install the tube joint(23) and escutcheon(32) onto the supporter(25). Connect the slide bar kit and diverter, and keep two screws(34) face towards the wall. Slide the tube joint(23) onto the base(22). Make sure the slide bar kit is parallel to the finished wall. Tighten the screws(24, 34) with hex wrench(33). Screw the escutcheon until it is against wall.

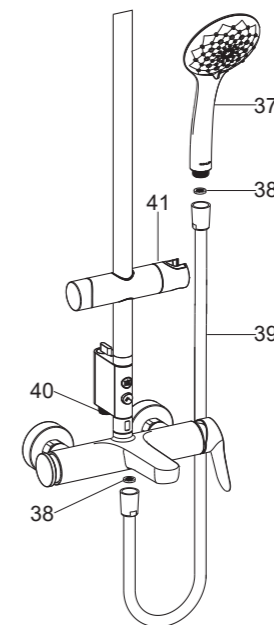
Remove and discard the guard from the tube kit(35). Install the tube kit into the slide bar kit. Then screw the nut(36) onto the slide bar kit with strap wrench or soft cloth between the nut and regular wrench. Make sure the outlet of the tube kit faces front.

如何安装手持花洒

安装手持花洒(37)前，切换至手持花洒出水状态，打开冷热水源冲掉管路中的杂质。

将垫片(38)放入软管(39)接头内，用软管连接切换器接头(40)和手持花洒。锁紧所有衔接螺母。

将手持花洒挂在花洒挂架(41)上。



How to Install the Handshower

Before installing the handshower(37), turn on the handshower. Flush hot and cold water supplies to remove any debris.

Put the washers(38) into the hose(39). Connect the connector(40) and handshower with hose. Tighten all the connectors.

Hang the handshower on the bracket(41).